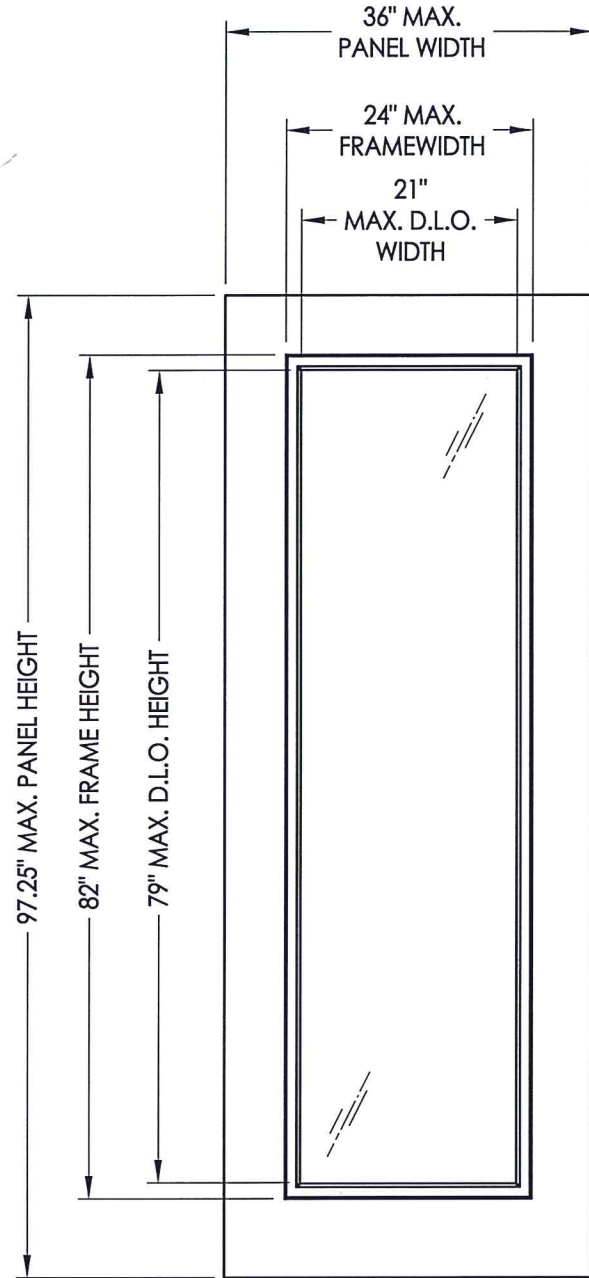




215 EAST ROOSEVELT AVE.
ZEELAND, MI 49464

ODL / WESTERN REFLECTIONS
"ZEEL" Clip Assembled Lite Frame System
DOORGLASS ASSEMBLY
FOR GLAZING UP TO A 3'0" x 8'0" SINGLE PANEL
"NON-IMPACT"



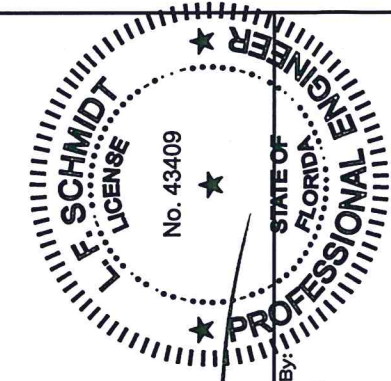
GENERAL NOTES

1. This product has been evaluated and is in compliance with the 7th Edition (2020) Florida Building Code (FBC) structural requirements including the High Velocity Hurricane Zone (HVHZ).
2. When used in the "HVHZ", this product is required to be protected with an impact resistant covering that complies with Section 1626 of the FBC.
3. This product is approved for use as a substitute doorglass assembly in conjunction with a glazed steel or fiberglass side hinged swing door and/or fixed sidelite possessing a comparable current Florida Statewide product approval.
4. The design pressure (DP) rating shall be the lesser of the DP rating shown on Sheet 1 of this approval or the DP rating shown in the glazed steel or fiberglass side hinged swing door or fixed sidelite approval being used.
5. The door panel and lite opening size shall not exceed the sizes shown in this approval or the glazed steel or fiberglass side hinged swing door or fixed sidelite approval being used.
6. This product has been tested in the door and/or sidelite panels as specified on Sheets 3 & 4 of this approval. Substitution into a similar product may be approved for use by the local Authority Having Jurisdiction. In all cases, the glazed steel or fiberglass door and/or sidelite used must possess a comparable current Florida Statewide product approval.

TABLE OF CONTENTS	
SHEET #	DESCRIPTION
1	Typical elevations, design pressures and general notes
2	Lite frame & glazing details
3	Fiberglass door panels
4	Steel door panels

DESIGN PRESSURE RATING (PSF)*		
DOOR TYPE	POSITIVE	NEGATIVE
8'- 0" STEEL	+50.0	-50.0
8'- 0" FIBERGLASS	+60.0	-60.0

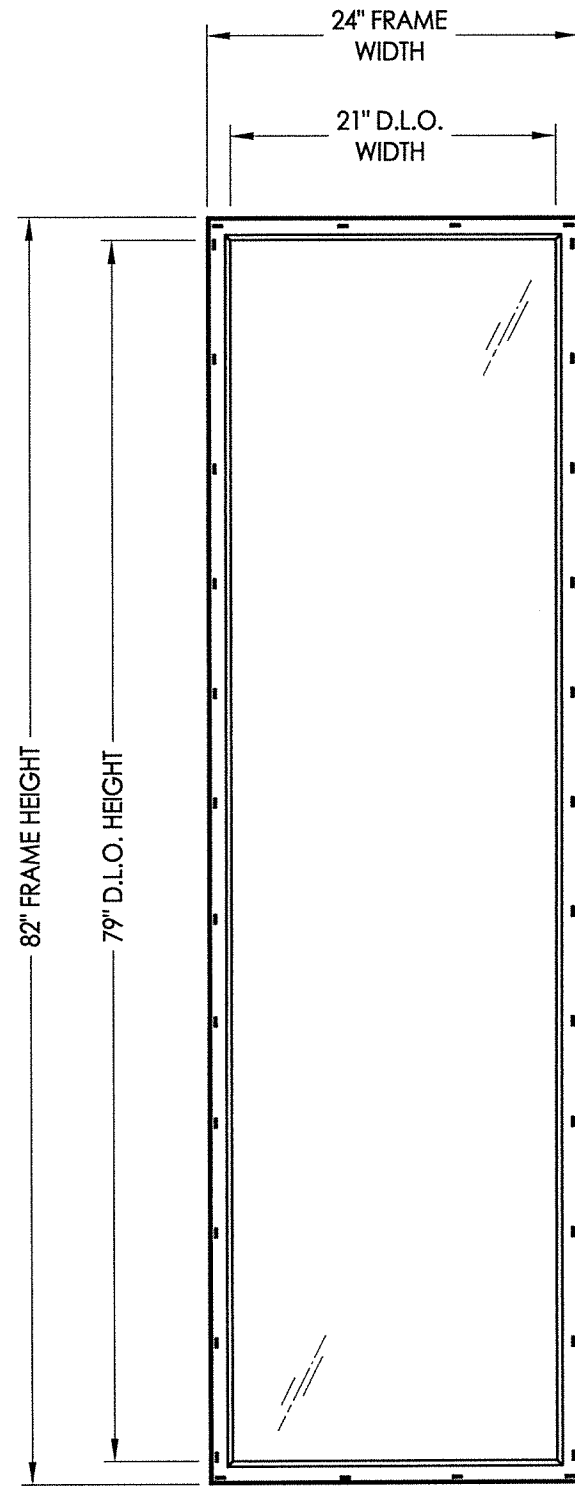
*SEE SHEETS 3 & 4 FOR DOOR PANEL DESIGN PRESSURE RATING LIMITATIONS



August 07, 2020
 Documents Prepared By:
 Lyndon F. Schmidt
 P.E. No. 43409

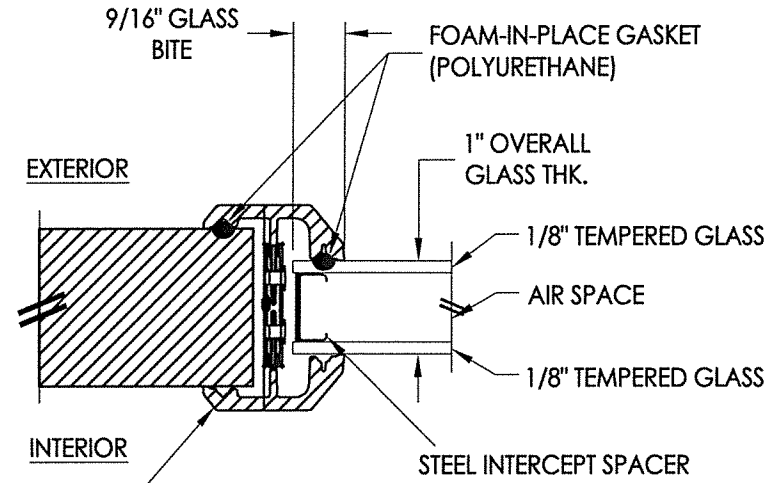
R.W. BUILDING CONSULTANTS, INC.
 P.O. Box 230, Valrico, FL 33595
 Phone No.: 813.659.9197
 FBPE Registry License No. 9813

PRODUCT:	ZEEL LITE FRAME SYSTEM
PART OR ASSEMBLY:	TYPICAL ELEVATIONS, DESIGN PRESSURES & GENERAL NOTES
DATE:	10/02/19
SCALE:	N.T.S.
DWG. BY:	LFS
CHK. BY:	RW
DRAWING NO.:	FL-15260.19
SHEET	1 OF 4

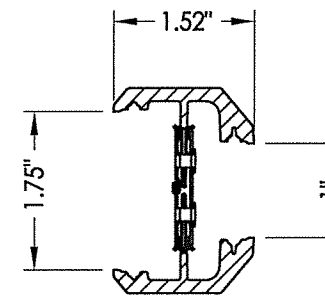


"ZEEL" CLIP ASSEMBLED LITE FRAME SYSTEM
PC/ABS

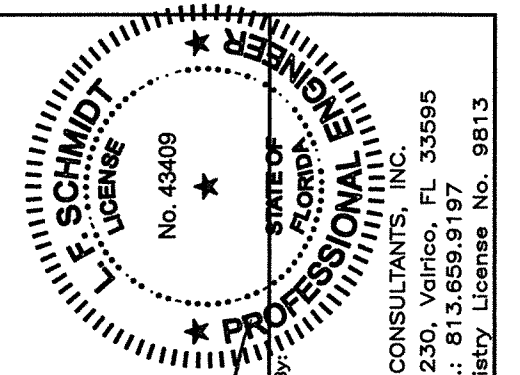
LOCKING CLIP IN (32) PLACES
(SPACED @ 6.75"-7.25" O.C.)



G1 GLAZING DETAIL



2A ZEEL LITE FRAME
CLIP ASSEMBLED FRAME
PC/ABS



LF

August 07, 2020

Documents Prepared By:
Lyndon F. Schmidt
P.E. No. 43409

RW BUILDING CONSULTANTS, INC.
P.O. Box 230, Valrico, FL 33595
Phone No.: 813.659.9197
FBPE Registry License No. 9813

PRODUCT:		ZEEL LITE FRAME SYSTEM	
PART OR ASSEMBLY:		LITE FRAME & GLAZING DETAILS	
NO.	DATE	BY	REVISIONS
1	8/05/20	FBC	UPDATE TO 7th ED. (2020)
		DAC	
DATE: 10/02/19			
SCALE: N.T.S.			
DWG. BY: LFS			
CHK. BY: RW			
DRAWING NO.: FL-15260.19			
SHEET 2 of 4			

